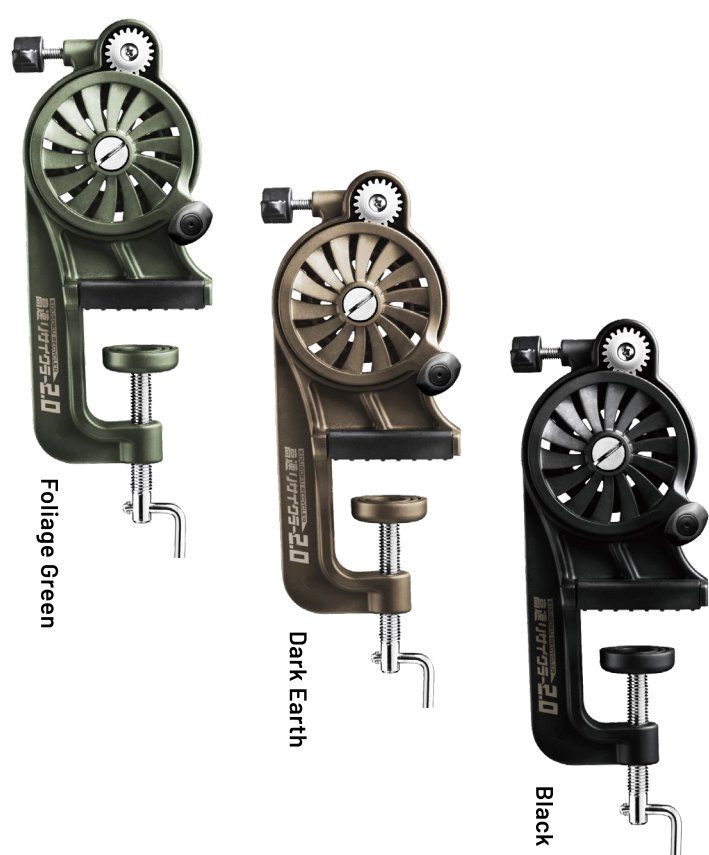


# DAIICHISEIKO

KOUSOKU RECYCLER  
高速リサイクラー-2.0



## HMKL SPIN FRY 30

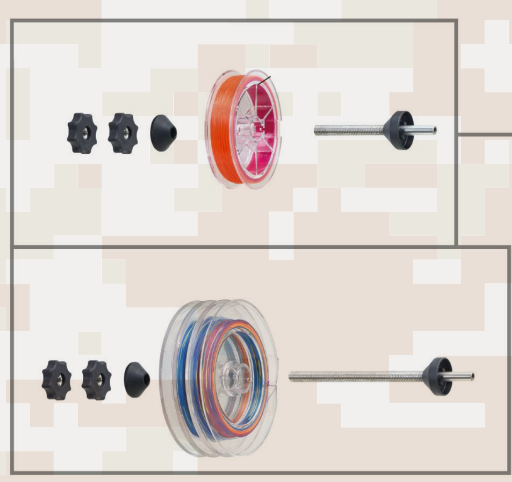
[CLICK HERE](#)

### Line up

- Size (excluding shaft): 215 × 95 × 90 mm
- Weight: 460 g (with long shaft used)
- Max. clamp mounting width: 43 mm
- Gear ratio: 3.5:1
- Shaft size: 8 dia. × 40 mm (short); 8 dia. × 100 mm (long)
- Max. spool installation width: 75 mm (with long shaft used)
- Accessories: Two shafts (short and long), two nuts, two collars, screwdriver, two screws

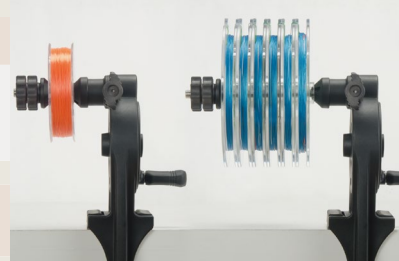
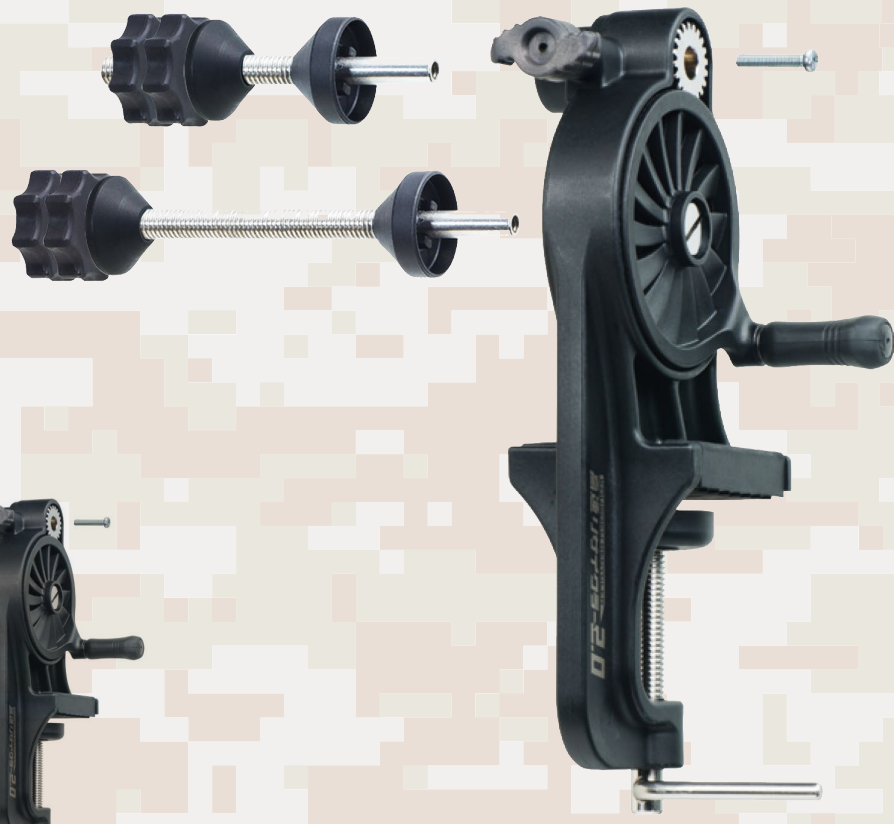
## FEATURE

### Short & Long Shaft Style



Provided with two types of shafts, i.e., a short shaft and a long shaft, for single spool and coupling spool use.

Ease of replacement with the provided screwdriver.



### Reel In Style



Possible to wind a new line quickly on a reel while making a tension adjustment.

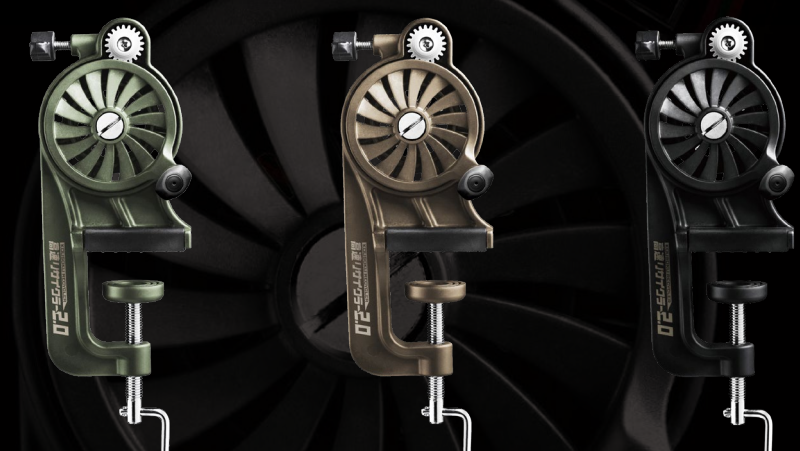
\* Install the line so that it extrudes from the top of the spool as shown.

### Setting method



If inner parts of the tension adjustment screw come off, reset and tighten the screw according to the procedure shown in the photo.

### Reel In Style



DAIICHISEIKO HI-SPEED RECYCLER 2.0

[CLICK HERE](#)